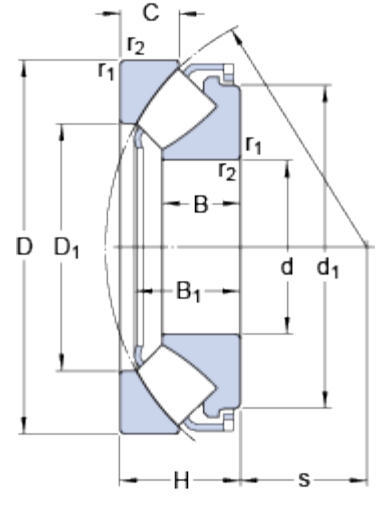




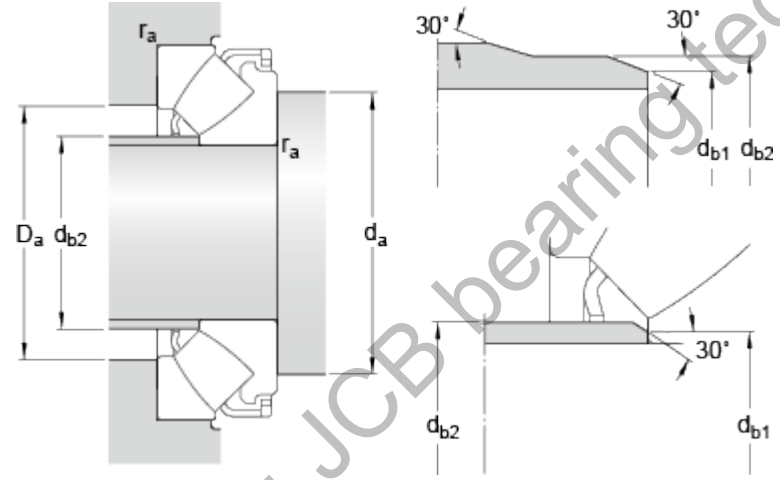
29438

Dimensions



d	190	mm
D	380	mm
H	115	mm
d ₁	≈ 332	mm
D ₁	≈ 265	mm
B	73	mm
B ₁	101	mm
C	55.5	mm
s	117	mm
r _{1,2}	min. 5	mm

Abutment dimensions



d _a	min. 280	mm
d _{b1}	max. 207	mm
d _{b2}	max. 223	mm
D _a	max. 321	mm
r _a	max. 4	mm

Calculation data

Basic dynamic load rating	C	2850	kN
Basic static load rating	C ₀	8000	kN
Fatigue load limit	P _u	765	kN
Reference speed		950	r/min
Limiting speed		1700	r/min
Minimum axial load factor	A	6.1	

Mass

Mass bearing	60.5	kg
--------------	------	----